

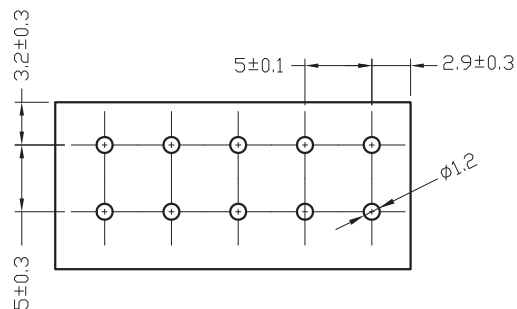
1

2

3

4

5



RECOMMENDED PCB LAYOUT - COMPONENT VIEW

## TECHNICAL CHARACTERISTICS

MATERIAL  
 INSULATOR: PA 66  
 FLAMABILITY RATING: UL94-V0  
 COLOR: GRAY/WHITE  
 METAL HOUSING: BRASS (CuZn)  
 WIRE GUARD: STAINLESS STEEL  
 SOLDER TAIL PLATING: TIN

ENVIRONMENTAL  
 OPERATING TEMPERATURE: -40 UP TO 115°C  
 COMPLIANCE: LEAD FREE AND ROHS

ELECTRICAL  
 CURRENT RATING: cULus  
 10A  
 WORKING VOLTAGE: 300VAC  
 WITHSTANDING VOLTAGE: 2.0KV  
 CONTACT RESISTANCE: 20 mOhm MAX

STANDARD  
 cULus CERTIFIED E315414 / MODEL NUMBER 411 B

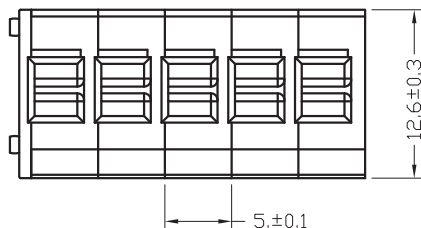
MECHANICAL  
 SOLID WIRE: 14-20 AWG / 0.5-2.1MM<sup>2</sup>  
 STRANDED WIRE: 14-20 AWG / 0.5-2.1MM<sup>2</sup>

WIRE STRIPE LENGTH: 9-10MM  
 PITCH: 5.0MM

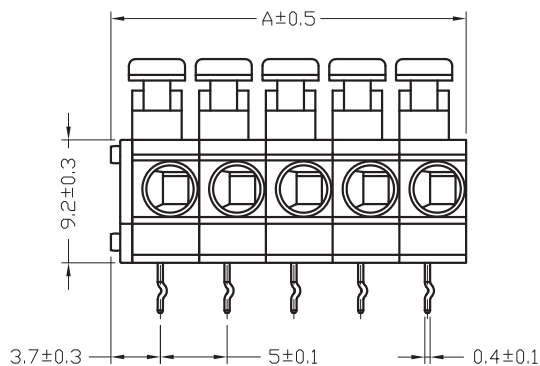
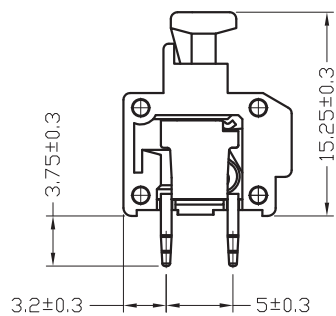
SOLDERING: WAVE PROCESS ONLY

PACKAGING: BOX

SERIE 411 B



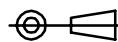
Pitch : 5.00mm	
Poles	A(mm)
2	11.60
3	16.60
4	21.60
5	26.60
6	31.60
7	36.60
8	41.60
9	46.60
10	51.60



RoHS Compliant

G			
F			
E			
D			
C			
B	29-JUL-13	DWG REVIEW	QL
A	02-JUL-12	PDF	GG
REV	DATE	FILE	BY

PROJECTION:



APPROVAL: RJ

GENERAL TOLERANCE

.X = +/- 0.2

.XX = +/- 0.15



UNIT: MM

SCALE:

SHEET: 1/1

DRAW: MARVIN

DESCRIPTION: SERIE 411 B - 5.00MM SCREWLESS HORIZONTAL ENTRY  
 2.0MM<sup>2</sup> WIRES WR-TBL

WERI PART NO: 691 411 710 0xx B

SIZE

A4

# Mouser Electronics

Authorized Distributor

Click to View Pricing, Inventory, Delivery & Lifecycle Information:

## Würth Elektronik:

[691411710009B](#) [691411710004B](#) [691411710002B](#) [691411710008B](#) [691411710005B](#) [691411710003B](#)  
[691411710006B](#) [691411710010B](#) [691411710007B](#)